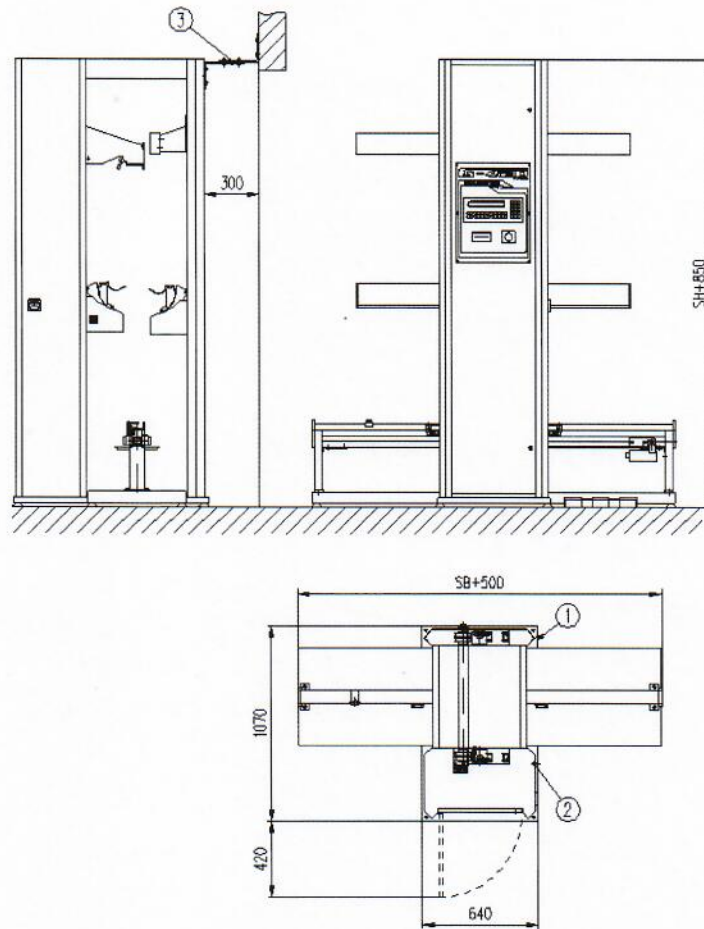


## 1.2 Technical data



	Desig.	Unit	Size
Voltage	U	V	3 x 400 + N + PE
	U	V	3 x 220 + PE
Current	I	A	depending on size
Rating	P	kW	depending on size
Mains frequency	F	HZ	50 / 60
Mains fuse external	I	AT	25
Section of connection	A	mm <sup>2</sup>	2,5
Pneumatic connection		bar	6
Air consumption		ltr/min	10
Permanent sound pressure level		dB (A)	< 70
Width of machine	B	mm	SB + 500
Height of machine	H	mm	SH + 850
Depth of machine	T	mm	1070
Weight of machine		kg	depending on size
Floor load		kg/m <sup>2</sup>	1000
Maximum frame thickness		mm	60
Equipment side		mm	(SB : 2) + 120
Other side		mm	0
Minimum distance between rear wall		mm	300
Material / supporting structure			Steel sheet pickled
Coating			2K-RAL 6016 / 6018

## 1.3 Equipment

### 1.3.1 Delivery status

The coating machine G-420 is supplied in individual componentry modules which are packed into a wooden crate.

The packing plan is included in chapter 10.2.3.

The coating carriage, the heating carriage and the stencil holding carriage are fastened to the tower by means of strings.

For stencil heights of 3000 mm and more, an auxiliary installation device is included in the supply. As soon as the tower has been correctly positioned, this installation device must be removed.

**The coating machine G-420 consists of the following individual elements:**

- 1 tower
- 1 floor console
- 2 holding tubes for the coating troughs (squeegee side and print side)
- 2 coating troughs EL B929\_G (squeegee side and print side)
- 1 foot-operated pedal EL B2251
- 1 heating unit (optional)
- 1 box with small material
- 1 anchor strap complete for stencil heights exceeding 3000 mm

### 1.3.2 Accessory equipment

**General view of accessory equipment:**

- 1 air connection complete
- 2 square keys 6 mm EL K0012 (once on the main switch, once in the tower)
- 4 trough holding pieces EL B1218 (for option multiple coating: 4 additional pieces per set of grooves)
  
- Version with PU-Lips
- 12 collector bins EL K4055 (two of which are fitted)
- 4 rubber lips green EL M9260 (two of which are fitted)
- Version with moist sponge
- 4 sponges EL K3020 (two of which are fitted)
  
- 10 fine-wire fuses 2AT EL E2414T
- 10 fine-wire fuses 6,3AT EL E2417T
- 3 paper reels for printer EL C2421 (one of them inserted in the printer)
- 1 operating manual