

1. TECHNICAL SPECIFICATIONS

PROCESSING MATERIALS

PROCESSING MATERIALS

- Rapid access.
- Hard dot materials.
- Imagesetting films and papers.
- Daylight films.
- Repro films.
- **Some models only:** Polyester plates. See below.

POLYESTER MATERIALS

NOTE! Some models only

Some processors are specially designed for developing of polyester materials.

In appendix B is specified special technical information and spareparts regarding polyester processors.

FILM WIDTH

Model 55/21:	10.0 cm - 55.0 cm	(4" - 21.7")
Model 72/28:	10.0 cm - 72.5 cm	(4" - 28.5")
Model 86/34:	10.0 cm - 86.5 cm	(4" - 34.0")

FILM LENGTH

SHEET AND ROLL MATERIAL:

Min.-max.: 12.0 cm - 30.0 m (4.7" - 1181.1")

POLYESTER MATERIAL:

min.-max.: 20.0 cm - 3.0 m (7.9" - 118.1")

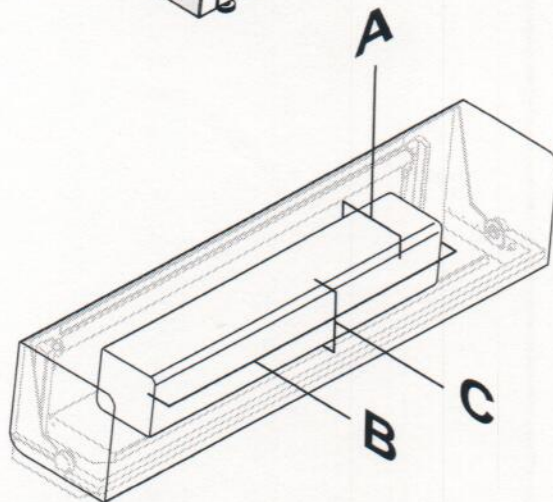
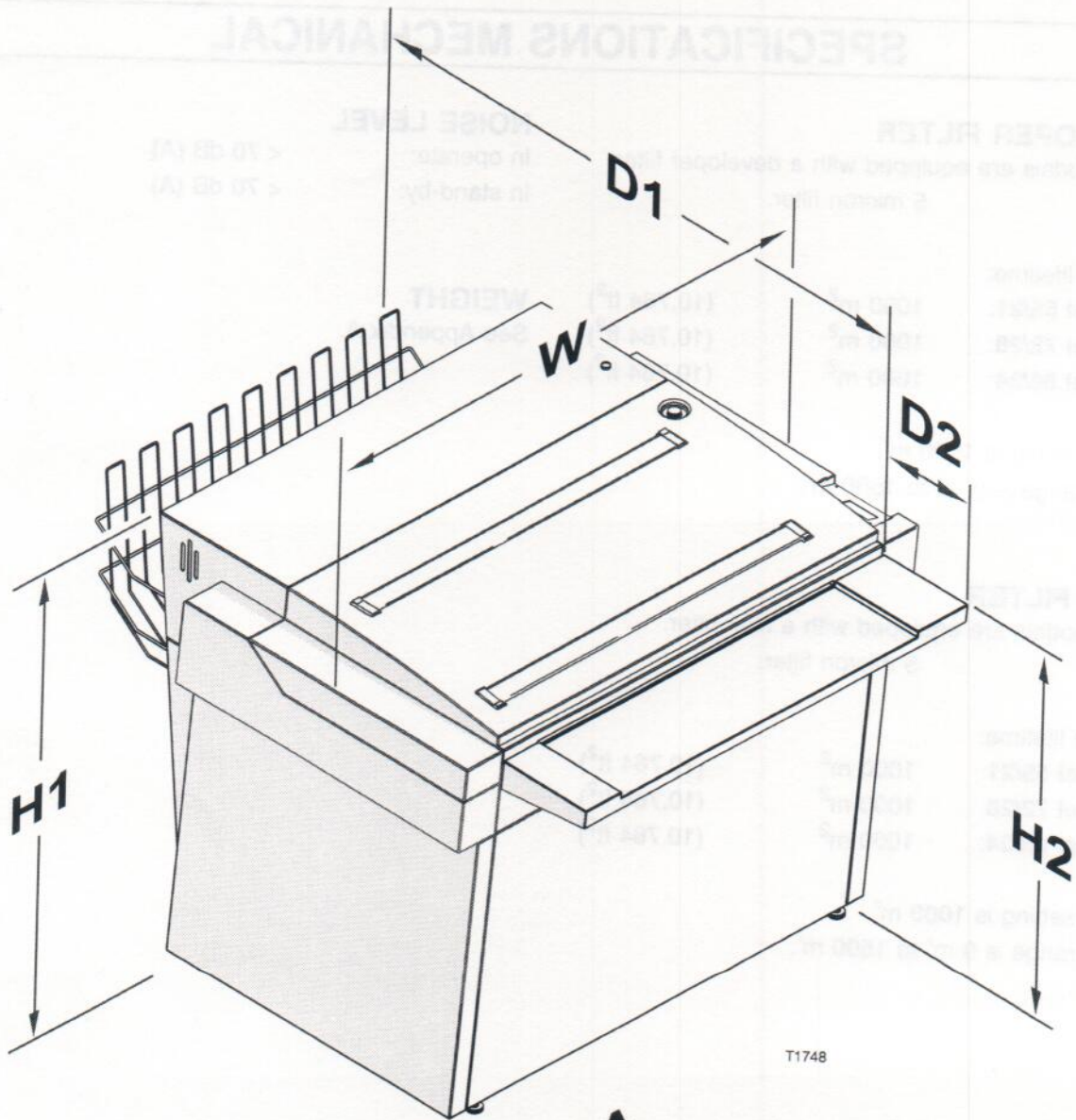
FILM THICKNESS

SHEET AND ROLL MATERIAL:

Min.-max.: 0.08 mm - 0.2 mm (0.003" - 0.008")

POLYESTER MATERIAL:

See Appendix A "FILM THICKNESS, POLYESTER MATERIAL".



DIMENSIONS

DIMENSIONS PROCESSOR

See figure opposite

Model 55/21:

Width (W):	101.0 cm	(39.7")
Depth (D1):	134.0 cm (incl. film basket)	(52.8")
	103.0 cm (excl. film basket)	(40.6")
Depth (D2):	Feed table 25.0 cm	(9.8")
	Daylight cassette 23.0 cm	(9.1")
Height (H1):	107.0 - 109.0 cm	(42.1-42.9")
	incl. adjustable legs	
Height (H2):	96.0 - 98.0 cm	(37.8 - 38.6")
	incl. adjustable legs	

Model 72/28:

Width (W):	119 cm	(46.9")
Depth (D1):	134.0 cm (incl. film basket)	(52.8")
	103.0 cm (exc.. film basket)	(40.6")
Depth (D2):	Feed table 25.0 cm	(9.8")
	Daylight cassette 23.0 cm	(9.1")
Height (H1):	107.0 - 109.0 cm	(42.1-42.9")
	incl. adjustable legs	
Height (H2):	96.0 - 98.0 cm	(37.8 - 38.6")
	incl. adjustable legs	

Model 86/34:

Width (W):	133.0 cm	(52.4")
Depth (D1):	134.0 cm (incl. film basket)	(52.8")
	103.0 cm (exc.. film basket)	(40.6")
Depth (D2):	Feed table 25.0 cm	(9.8")
	Daylight cassette 23.0 cm	(9.1")
Height (H1):	107.0 - 109.0 cm	(42.1-42.9")
	incl. adjustable legs	
Height (H2):	96.0 - 98.0 cm	(37.8 - 38.6")
	incl. adjustable legs	

DIMENSIONS PTS CASSETTES

See figure opposite

The max. dimensions of the PTS cassettes that fit into the daylight cassette (option) are:

Model 55/21:

Depth (A):	195 mm	(7.7")
Width (B):	625 mm	(24.6")
Height (C):	195 mm	(7.7")

Model 72/28:

Depth (A):	195 mm	(7.7")
Width (B):	795 mm	(31.3")
Height (C):	195 mm	(7.7")

Model 86/34:

Depth (A):	195 mm	(7.7")
Width (B):	935 mm	(36.8")
Height (C):	195 mm	(7.7")